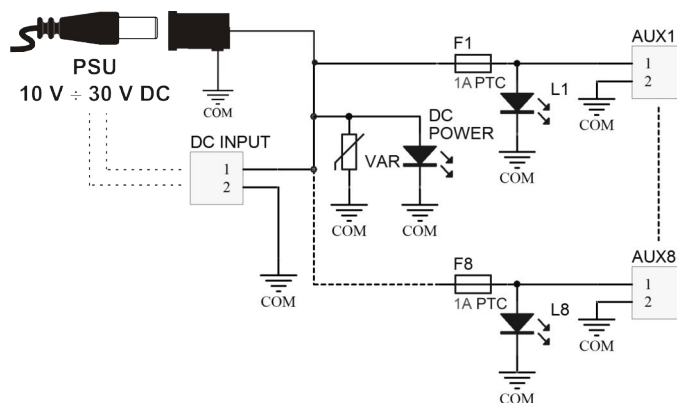
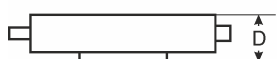
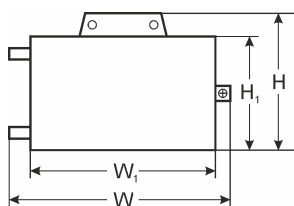


CODE: **AWZ592** v.1.0/IV
 NAME: **LBC8/8x1A/PTC fuse module with housing**

EN**



DESCRIPTION

The LBC8 fuse module is designed for power distribution in CCTV systems requiring the voltage in the range 10V ÷ 30V DC. It is equipped with two power inputs: screw connection and DC jack 5.5/2.1 and eight AUX1 ÷ AUX8 power outputs independently protected with 1A polymer fuses. The module is equipped with J1÷J8 jumpers disconnecting the power supply at the AUX1 ÷ AUX8 outputs ("+" terminal). PTC fuse activation is indicated by switching off the corresponding LED of the module: L1 for AUX1, L2 for AUX2 etc. Additionally, the module's input is protected by a varistor, protecting the power supply against surges in the power supply system.

SPECIFICATIONS

Supply voltage	10V ÷ 30V DC
Current consumption	8 mA ÷ 70 mA @ U _{IN} = 10V ÷ 30V DC
Number of power inputs	2: DC jack 5,5/2,1 or screw connection
Number of power outputs	8 (AUX terminals)
Protection types: - short-circuit protection SCP * - overload protection OLP - surge protection	- 8 x 1A PTC - 8 x 1A PTC - varistor
Optical indication	Red LED – DC supply voltage indicator Green L1 ÷ L8 LEDs –AUX1 ÷ AUX8 outputs status
Bezpieczniki F1 ÷ F8	8 x 1A PTC
Operation conditions	2nd environmental class, -10°C ÷ 40°C
Dimensions	W=150, H=94, D=42 (+/-2mm) W1=126, H1=78 (+/-2mm)
Mounting	Mounting screws x2 (Ø4mm holes)
Connectors: - supply outputs - supply inputs	- screw connections Ø0,51÷2,05 (AWG 24-12) - DC jack 5,5/2,1 - screw connection Ø0,51÷2,05 (AWG 24-12)
Net/gross weight	0,16kg / 0,23kg
Declarations, warranty	CE, RoHS, 2 year from the production date

* Using power supply unit with too low current efficiency may cause (in the case of a short-circuit at one of the outputs of the module) temporary power loss at other outputs.