

DC118

Poort/overheadcont., sabo.lus, 2m kabel, schakelafstand ca. 75 mm, NC

Industrial Contact

The DC115/DC118 are designed to be installed in commercial and industrial environments where a rugged sealed unit is required. It is ideal for metal doors, overhead doors, fences and gates. Each model features a high strength extruded aluminium housing and is completely encapsulated in an exclusive polyurethane potting compound.

Comprehensive Range

The range features wide gap distances and several models to meet any application need. Armoured cable is available.



Details

- Mounting brackets available for gates, garage doors, freezers
- Rugged construction for long life
- Convenient surface mounting
- 2 m armoured cable
- Tamper loop provided
- DC115 is polarity-sensitive with reference to magnet direction

DC118

Poort/overheadcont., sabo.lus, 2m kabel, schakelafstand ca. 75 mm, NC

Technische specificaties

General

| | |
|------------------|--------------|
| Application type | Overhead |
| Contact type | NC |
| Connectivity | 4 wires, 2 m |

Wired/wireless

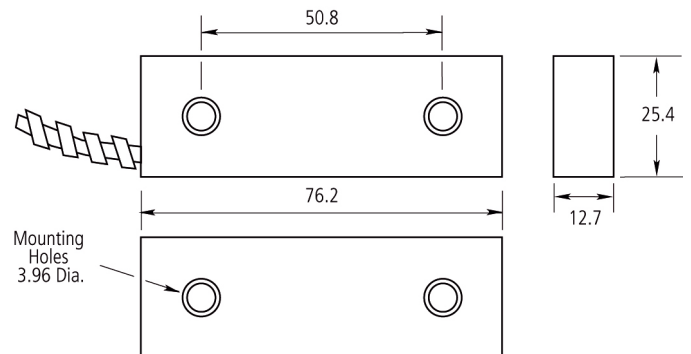
| | |
|----------------|-------|
| Wired-wireless | Wired |
|----------------|-------|

Physical

| | |
|-----------------------------|-----------------|
| Dimensions magnet | 76 x 12 x 25 mm |
| Dimensions contact / sensor | 76 x 12 x 25 mm |
| Operating gap | 75 mm |

Standards & regulation

| | |
|---------------|---------|
| EN50131 grade | Grade 2 |
|---------------|---------|



As a company of innovation, UTC Fire & Security reserves the right to change product specifications without notice. For the latest product specifications, visit UTC Fire & Security online or contact your sales representative.

25 February 2019 - 16:31