

EXH RANGE, BRACKETS



EXWBJ000

BRACKET AND BALL JOINT FOR EXH EX-PROOF HOUSING

Solid, anticorodal aluminium construction

The EXBJ, alone, allows the column mount

Load rating: 35kg (77lb)

Length: 455mm (17.9in)



EXWBJ000

EXBJ000

BALL JOINT FOR THE COLUMN MOUNT OF EXH EX-PROOF HOUSINGS

Solid, anticorodal aluminium construction



EXBJ000

TECHNICAL DATA

EXWBJ000

MECHANICAL

Solid, anticorrosional aluminium construction

Load rating: 35kg (77lb)

Length: 455mm (17.9in)

Unit weight (EXWBJ): 6.6kg (14.5lb)

PART NUMBER

EXWBJ000 Bracket and ball joint RAL7032 for EXH series

PACKAGE

| Model Number | Weight | Dimensions (WxHxL) | Master carton |
|--------------|--------------|--------------------------|---------------|
| EXWBJ000 | 7kg (15.4lb) | 27x18x49cm (10.5x7x19in) | - |

EXBJ000

MECHANICAL

Solid, anticorrosional aluminium construction

Unit weight: 2.9kg (6.4lb)

PART NUMBER

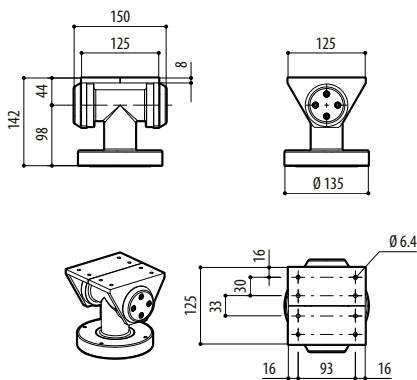
EXBJ000 Only ball joint for EXH RAL7032 housings

PACKAGE

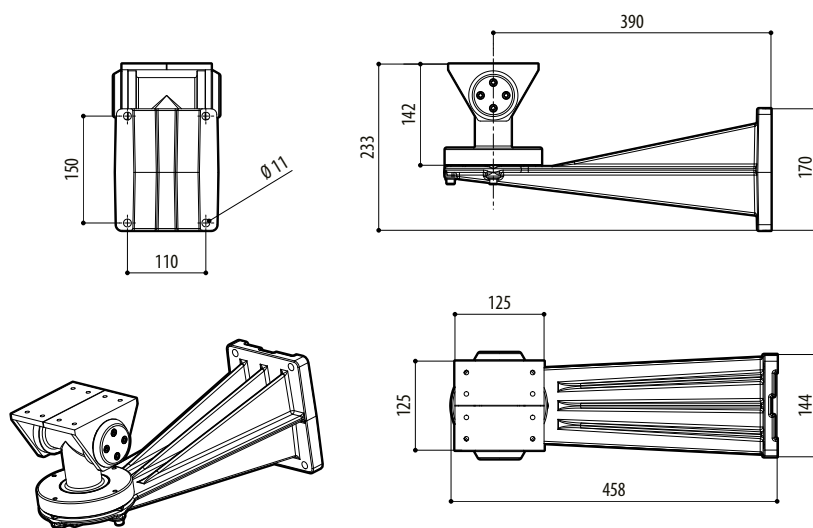
| Model Number | Weight | Dimensions (WxHxL) | Master carton |
|--------------|---------------|----------------------------|---------------|
| EXBJ000 | 3.2kg (7.1lb) | 16x21x12cm (6.3x8.3x4.7in) | - |

TECHNICAL DRAWINGS

The dimensions of the drawings are in millimetres.



EXBJ



EXWBJ000