

SUPLET[®]

Single port POE midspan LAS60-57CN-RJ45

RoHS Compliant



■ Applications

- IP camera
- IP phone
- Ethernet switch
- Internet

■ Features

- RoHS compliant
- Compatible With All IEEE pre 802.3af, 802.3at and Legacy Powered Devices
- Input voltage: 90Vac~264Vac
- Support 300Vac input for long time work
- Output over current protection
- Short circuit protection
- MTBF $\geq 1,000,000$ hrs
- Surge protection
- CE mark
- WEEE compliant

Description

The converter is designed to extract power from a conventional twisted pair Category 5 Ethernet cable, conforming to the IEEE 802.3at Power-over-Ethernet (PoE) standard.

The converter signature and control circuit provides the PoE compatibility signature and power classification required by the Power Sourcing Equipment (PSE) before applying up to 60W power to the port.

Electrical Specifications

Input Characteristics

Parameter	Units	Specifications			Notes & conditions
		Min.	Typ.	Max.	
Input Voltage Range	Vac	90	100-240	264	300Vin for long time
Input Current	A	-	-	2	
Input Frequency Range	Hz	47	50/60	63	

Output Characteristics

Parameter	Units	Specifications			Notes & conditions
		Min.	Typ.	Max.	
Output Voltage Range	Vdc	54	56	57	
Output Power	W	-	-	60	
Output Voltage Tolerance	%Vo	-4	-	2	
Load Regulation	%Vo	-	-	±1	
Pin Assignment and Polarity	Data Pairs	3/6 (-) and 1/2 (+)			
	Spare Pairs	7/8(-) and 4/5(+)			
Pass Through Data Rates	Mbps	10/100/1000			
No. of Ports		- 2		-	Two 10/100/1000M adaptive RJ45 ports, one is DATA/IN, another is PoE/DATA
LED Indicator	Power&PoE Status(The module operates normally when MID and END are on)				
Base Function	Compliance to IEEE 802.3 at/af Standard for PD				
Network Medium	10BASE-T: unshielded twisted pair category 3, 4 or 5 100BASE-TX: unshielded twisted pair category 5 and above 1000BASE-TX: unshielded twisted pair category 5 and above				

Protection Characteristics

Parameter	Units	Specifications			Notes & conditions
		Min.	Typ.	Max.	
Output Over Current Protection	mA	1000 1190	13	00	
Short Circuit Protection		-	Yes	-	

General Specifications

Parameter	Units	Specifications			Notes & conditions
		Min.	Typ.	Max.	
MTBF	Hour	-	1,000,000	-	SR-332 Issue 3, 25 °C
Weight	g	- 47	3 -		
Dimension 1	83mm*70.8mm*37mm (L*W*H)				
Warranty Y	ear	2	-	-	

Environmental Specifications

Parameter	Units	Specifications			Notes & conditions
		Min.	Typ.	Max.	
Operating Ambient Temperature	°C -	20	-	60	Turn-on @-40 °C
Storage Temperature	°C	-40	-	70	
Operating Humidity	RH(%)	5	-	90	
Storage Humidity	RH(%)	5	-	95	
Operating Altitude	m	0	-	3000	

Safety Specifications

Parameter	Units	Specifications			Notes & conditions
		Min.	Typ.	Max.	
Safety		Compliant to UL60950-1,EN60950-1			

EMC Specifications

Parameter	Units	Specifications			Notes & conditions
		Min.	Typ.	Max.	
Electromagnetic		FCC Part 15, Class B			
Emission		EN 55022 Class B			
Immunity EN55		024,VCCI			
Surge Protection		Power input port meets EN 61000-4-5 criterion B: L-N 1KV L,N-PE 2KV Output communication port :1kV differential mode (criterion B)			

Outline Diagram

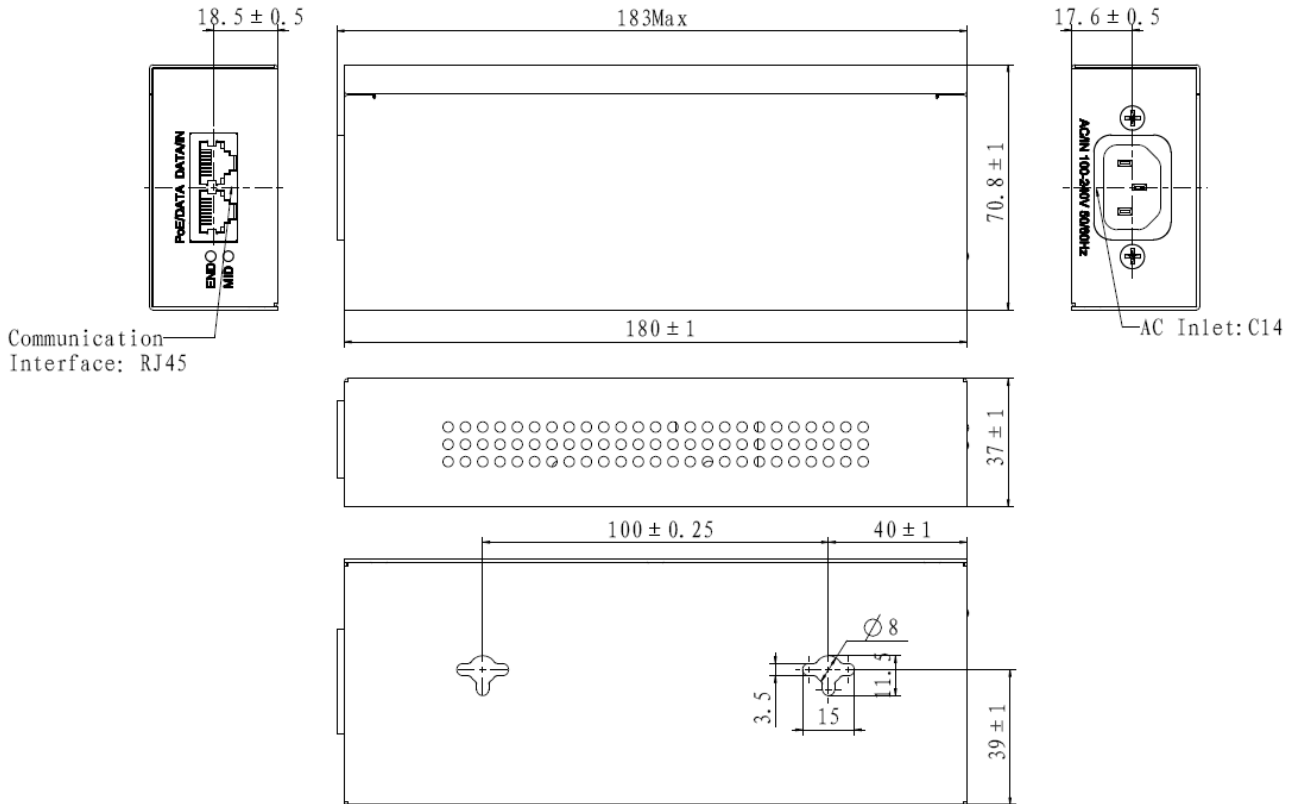
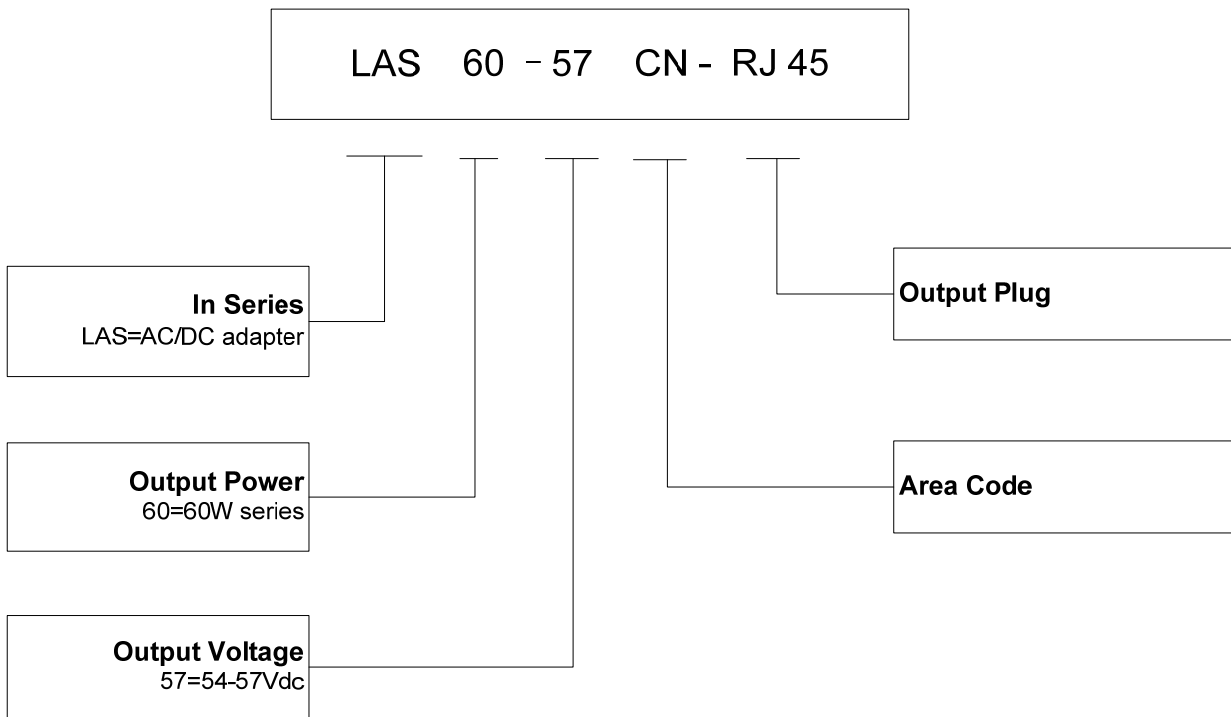


Figure 1. Outline Diagram

Dimensions are in millimeters.

Naming Rules On Models



For more information please contact SUPLET Co., Ltd.

1-6/F, No.5 Bldg.,2nd Area
South Zhongguan Honghualing Industrial Park,
Liuxian Road No.1213, Taoyuan Subdistrict, Nanshan,
Shenzhen, Guangdong, China
Tel: +86(755)-86000600 Fax: +86(755)-86001330
E-mail: postmaster@suplethic.com

Web: <http://www.suplet.com>

The information and specifications contained in this data sheet are believed to be accurate and reliable at the time of publication. However, SUPLET, Inc. assumes no responsibility for its use or for any infringements of patents or other rights of third parties, which may result from its use. No license is granted by implication or otherwise under any patent or patent rights of SUPLET, Inc. Specifications are subject to change without notice.