

IWM Series, IWM24 Series, and IDM4018 Mount

WALL MOUNT, SPECTRA®, DF5, DF8, AND SARIX™ IE SERIES DOMES

Product Features

- For Use with Spectra®, DF5, DF8, and Sarix™ IE Series Domes; Can Also Be Used with Other Pendant Domes Using 1.5-inch NPT Threaded Pipe for Mounting
- Constructed of Aluminum (IDM4018) and Cast Aluminum (IWM Series)
- Mounts Directly to Vertical Load-Bearing Surface for Wall Mount Applications
- Supports up to 75 lb (34 kg)
- Includes Cable Feedthrough Hole
- IWM24 Series Includes Integral 24 VAC, 100 VA Transformer for Use with Spectra and Sarix IE Series Domes
- Optional Parapet, Pole, and Corner Adapters are Available



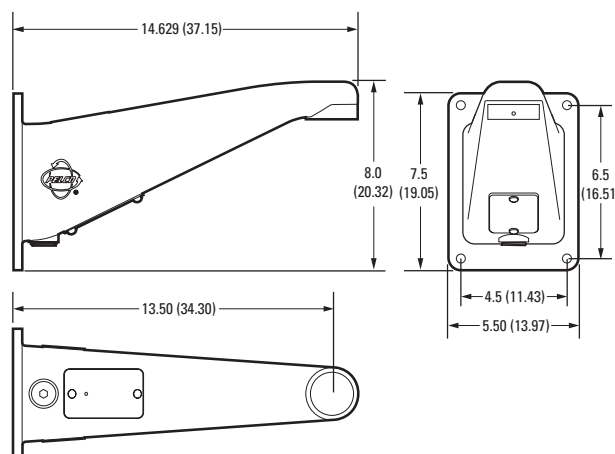
The **IWM Series**, **IWM24 Series**, and **IDM4018** indoor/outdoor wall mounts are designed primarily for use with Pelco pendant domes including Spectra®, DF5, DF8, and Sarix™ IE Series. They can also be used with other pendant domes that require 1.5-inch NPT pipe thread for installation. For Sarix IE Series domes, the IWM-SR and IWM24-SR wall mounts require the Sarix IE-P pendant mount adapter.

All mounts feature a feedthrough opening in the mounting surface for easy routing of video and power cables and are threaded for 1.5-inch NPT pipe, making them ready to accept a variety of Pelco pendant back box models.

The **IWM24 Series** includes an integral 24 VAC, 100 VA transformer. Input power (120 or 240 VAC, 50/60 Hz) is selectable using an internal slide switch that is easily accessible through a front access cover plate. Input wiring can enter the arm from openings in the mounting plate or a flexible metal conduit fitting may be installed on the bottom of the mount. When installed with Sarix IE Series domes, the power from the IWM24-SR mount is used for the dome heater.

The **IWM Series**, **IWM24 Series**, and **IDM4018** mounts can be attached directly to any vertical load-bearing surface. All mounts are designed to support up to 75 pounds (34 kg).

The **IWM Series** and **IWM24 Series** are constructed of cast aluminum and are available in black, gray, or light gray finish. The **IDM4018** is constructed of aluminum and has a gray polyester powder coat finish. Optional parapet, pole, and corner adapters are available.



NOTE: VALUES IN PARENTHESES ARE CENTIMETERS; ALL OTHERS ARE INCHES.

TECHNICAL SPECIFICATIONS

MODELS

IWM-BK	Wall mount with cable feedthrough for use with Spectra, DF5, and DF8 Series pendant domes; black finish.
IWM-GY	Same as IWM-BK except gray finish.
IWM-SR	Same as IWM-BK except light gray finish.*
IWM24-BK	Wall mount with cable feedthrough for use with Spectra, DF5, and DF8 Series pendant domes; includes integral 24 VAC, 100 VA transformer; black finish.
IWM24-GY	Same as IWM24-BK except gray finish.
IWM24-SR	Same as IWM24-BK except light gray finish.*
IDM4018	Wall mount with removable front end cap and feedthrough capabilities for use with Spectra, DF5, and DF8 Series pendant domes.

ELECTRICAL

(IWM24 Series Only)

Input Power	120/240 VAC, 50/60 Hz, switchable through an internal slide switch
Output Power	24 VAC, 100 VA transformer
Fuse	One 1.6 A, 120 VAC, fast acting One 500 mA, 240 VAC, fast acting

GENERAL

Suggested Mounting Method

IWM/IWM24 Series	Secure with four 3/8-inch fasteners (not supplied) suitable for the mounting surface
IDM4018	Secure with four 5/16-inch fasteners (not supplied) suitable for the mounting surface
Dome Mounting	Dome screws directly into mount

Cable Entry

IWM Series and IDM4018	One cable feedthrough hole in mounting plate
IWM24 Series	Two cable feedthrough holes in mounting plate; can accommodate 1/2-inch (1.27 cm) conduit fittings or PG13.5 liquid-tight gland fittings; one 3/4-inch (1.91 cm) conduit opening on the bottom of mount arm for flexible metal conduit connectors

Maximum Load

IWM/IWM24 Series	~48 square inches
IDM4018	~54 square inches

Construction

IWM/IWM24 Series	Cast aluminum
IDM4018	5052H32 Aluminum

Finish

IWM-BK	Black polyester powder coat
IWM-GY	Gray polyester powder coat
IWM-SR	Light gray polyester powder coat
IWM24-BK	Black polyester powder coat
IWM24-GY	Gray polyester powder coat
IWM24-SR	Light gray polyester powder coat
IDM4018	Gray polyester powder coat

Environment

Environment	Indoor/outdoor	
Weight	Unit	Shipping
IWM Series	2.46 lb (1.12 kg)	7 lb (3.17 kg)
IWM24 Series	6.58 lb (2.98 kg)	11 lb (4.98 kg)
IDM4018	4.00 lb (1.81 kg)	6 lb (2.71 kg)

CERTIFICATIONS/RATINGS

- CE compliant (IWM24-BK, IWM24-GY, and IWM24-SR only)
- UL/cUL Listed (IWM/IWM24 Series only)
- Meets NEMA Type 4 Standards (IWM/IWM24 Series only)

OPTIONAL MOUNT ADAPTERS

Corner

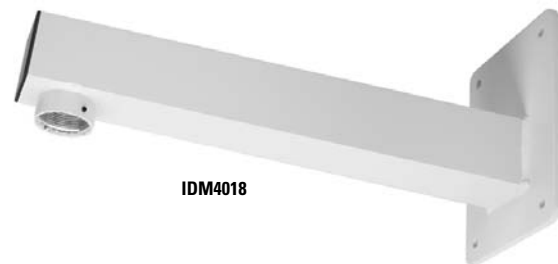
CM400	Corner mount adapter; use with IDM4018 and IWM/IWM24 Series
-------	---

Pole

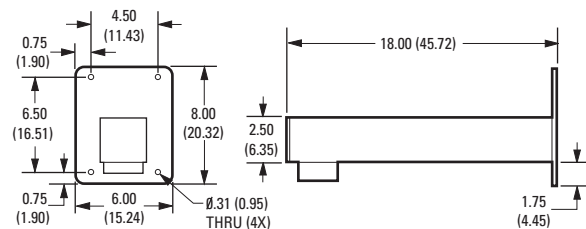
PA402	Pole mount adapter; use with IDM4018 and IWM/IWM24 Series
-------	---

Parapet

PP400	Parapet wall adapter; use with IDM4018 and IWM/IWM24 Series
PP4348	Rooftop parapet adapter; use with IDM4018 and IWM/IWM24 Series



IDM4018



NOTE: VALUES IN PARENTHESES ARE CENTIMETERS; ALL OTHERS ARE INCHES.

*The IWM-SR and IWM24-SR require the IE-P adapter for use with Sarix IE Series domes.

⚠ **WARNING:** Cancer and Reproductive Harm - www.P65Warnings.ca.gov.

⚠ **ADVERTENCIA:** Cáncer y Daño Reproductivo - www.P65Warnings.ca.gov.

⚠ **AVERTISSEMENT:** Cancer et Troubles de l'appareil reproducteur - www.P65Warnings.ca.gov.

Pelco, the Pelco logo, and other trademarks associated with Pelco products referred to in this publication are trademarks of Pelco, Inc. or its affiliates. All other product names and services are the property of their respective companies. Product specifications and availability are subject to change without notice.

©Copyright 2010, Pelco, Inc. All rights reserved.

Pelco, Inc.

625 W. Alluvial, Fresno, California 93711 USA

USA & Canada Tel: (800) 289-9100 • FAX: (800) 289-9150

International Tel: +1 (559) 292-1981 • FAX: +1 (559) 348-1120

www.pelco.com