

SensolRIS B124-HP

High Profile Base



DESCRIPTION:

SensolRIS B124 HP is a high profile base for SensolRIS addressable detectors T110, T110 IS, S130, S130 IS, M140 and M140 IS and SensolRIS addressable sounders and sounder/strobe : WSOU, WSOU IS, WSST, WSST IS, WS, WS IS. The base is with higher profile than the regular base which allows for whole cable pass-through. The base also provides an additional plastic slab for device labeling and a contact system for direct detector attachment (B124 is not required). It is possible to lock the detector to the base for extra security.

TECHNICAL FEATURES

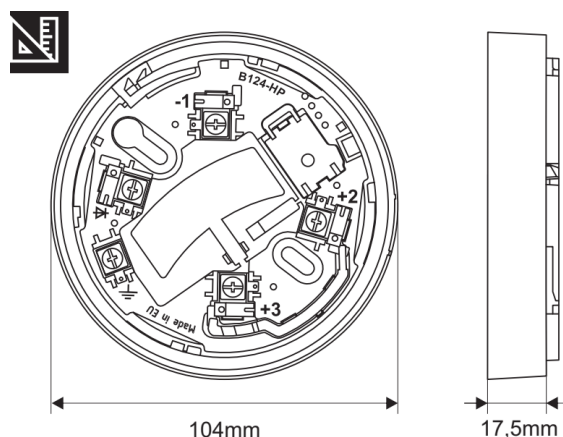
- Connection marks on the base
- Higher profile – 17,5 mm
- Allows for whole cable pass-through
- Plastic slab for device labeling
- Contact system for direct detector attachment

SPECIFICATIONS

- Wire Gauge for terminals 0.4mm - 2.0mm
- Operating temperature -10°C to +60°C
- Relative humidity resistance: (93 ± 3)% @ 40°C
- Weight ~45 g
- Dimensions 104 x 17,5 mm
- Material (plastic), color..... ABS, white

COMPATIBLE PRODUCT RANGE

- SensolRIS Addressable detectors T110, T110 IS, S130, S130 IS, M140 and M140 IS
- SensolRIS addressable sounders and sounder/strobe : WSOU, WSOU IS, WSST, WSST IS, WS, WS IS.



Last update: March 2021