



www.selea.com

Smart City  
Smart saving  
Urban Security

# TARGA 205



Video surveillance camera with automatic license plate reading (OCR) suitable for the traffic monitoring of urban roads.

**5**  
the megapixels of  
the context sensor

**50**  
the nationalities that the  
camera recognises

**500**  
the reasons for  
using it

20  
22

# TARGA 205



## SAVE MONEY

For those seeking a cost-effective, high-performance solution



## DUAL CAMERA

OCR Sensor + integrated surveillance colour context sensor



## SINGLE LANE

Number plate reading synchronized on a single lane



TARGA205 + CPS 5.0 is the ideal solution for those who want to create a complete license plate reading system with a **reduced budget**, because it combines the excellent performance of the camera with the powerful video analysis (*Brand, Model, Type and Colour recognition*) of the CPS software.



## CERTIFICATIONS & SECURITY

Both the software and the camera are ISDP10003 certified - Privacy by design and Privacy by default, which guarantees the attention that has been placed on GDPR regulations and data protection of the complete license plate reading system (software + hardware).



## FOG-FIGHTER NIGHT & DAY

It has a high-performance sensor and illuminator so as to allow the recognition of vehicles in all weather conditions, both day and night. The only system with the FogFighter function to recognize licence plates even with thick fog.



## OUTSTANDING PERFORMANCE

The accuracy of the data is the true value of a licence plate reading solution, because it is through accurate data that effective city security is achieved. Innumerable incorrect data wastes staff time and misleads investigations.

## HARDWARE FEATURES OF THE CAMERA

Sensor	
OCR Sensor	2 Megapixel, Global Shutter, CMOS B/N, frame rate of 60 Fps
Context colour sensor	<i>built-in</i> -> 5 Megapixel, CMOS Rolling Shutter
Lens	
OCR lens	25 mm fixed focus lens with F1.2 aperture and C/CS mount
Context lens	12mm fixed focus lens with IR filter for panoramic view.
Illuminator	
Pulsed light IR Illuminator	n.6 high power 820 nm/47° IR LEDs that are compliant with the EN62471:2008 standard on photobiological safety.
Power supply	
Power supplies	<ul style="list-style-type: none"> <li>Built-in 12 Vdc power supply.</li> <li>POE+ power supply (optional)</li> </ul>
Absorbed power	9 Watt max
Inbuilt protection	
The camera is protected against:	<ul style="list-style-type: none"> <li>reverse polarity</li> <li>voltage fluctuations greater than 30 Vdc</li> <li>overloads with thermal protection</li> <li>overvoltages (TVS) on USB and Ethernet ports</li> </ul>
Certifications	
OCR	<ul style="list-style-type: none"> <li><b>100% accuracy</b> according to UNI 10772:2016 class A parameters for rear, two-line, motorcycle and moped number plates.</li> </ul>
Data security	<ul style="list-style-type: none"> <li>ISDP10003:2018 - <i>Privacy by Default &amp; Privacy by Design</i></li> </ul>
Standards	
Respected standards	<ul style="list-style-type: none"> <li>EN62471</li> <li>EN55032</li> <li>EN55035</li> <li>EN61000</li> <li>EN62368-1</li> <li>EN60529</li> <li>EN60068</li> <li>EN60721</li> <li>European standard RoHS2 - 2011/65/UE</li> </ul>
General	
Operating temperature	From -40°C to +65 °C without the need of fans or heaters.
Protection rating	Standard IP66 (on request IP67 and IK10)
Dimension (mm)	L=165 : H=122; D=470
Weight	3 Kg

## SOFTWARE FEATURES OF THE CAMERA

### Embedded Algorithms

Standard built-in functions	<ul style="list-style-type: none"> <li>• License plate reading (OCR) - reading characters of over 50 countries</li> <li>• Fog-Fighter (reading license plates in the fog)</li> <li>• Dirt elimination</li> <li>• Predictive character analysis</li> <li>• Angle compensation</li> <li>• Magic spot</li> </ul>
-----------------------------	---

### Data communications

Integrated webserver	<ul style="list-style-type: none"> <li>• <b>Onvif</b> communication protocol</li> <li>• Save data directly to local server or remote NAS.</li> </ul>
Protocols	TCP/IP, UDP, HTTP, HTTPS, RTP/RTSP, DHCP.

### Data security

Data protection	<ul style="list-style-type: none"> <li>• HTTPS encryption.</li> <li>• AES256 Advanced Encryption Standard.</li> <li>• SHA2 Secure Hash Algorithm 2.</li> </ul>
-----------------	--

### Video output

OCR sensor	2 Megapixel Jpeg images and RTP/RTSP video stream with MPEG4 e H264 encoding.
Context sensor	5 Megapixel Jpeg images and RTP/RTSP or HTTP video stream with MPEG4 e H264 encoding.

### Compatibility

Integration	The camera is only compatible with Selea's CPS 5.0 software
-------------	---

### Functionality

Operating system	<ul style="list-style-type: none"> <li>• Linux Embedded</li> </ul>
Standard built-in functions	<ul style="list-style-type: none"> <li>• Multiple user management using HTTPS protocol protected access credentials for accessing the camera.</li> <li>• Synchronized recording of metadata and captured code/number plate image.</li> <li>• Save data on a local server or remote NAS.</li> <li>• HTTPS security management.</li> <li>• Multiple action alarm management.</li> <li>• Live and check control function for checking the operation of the entire system.</li> <li>• Synchronization of date and time via NTP, IEEE1588 protocol.</li> <li>• Possibility of updating firmware from a web page.</li> </ul>

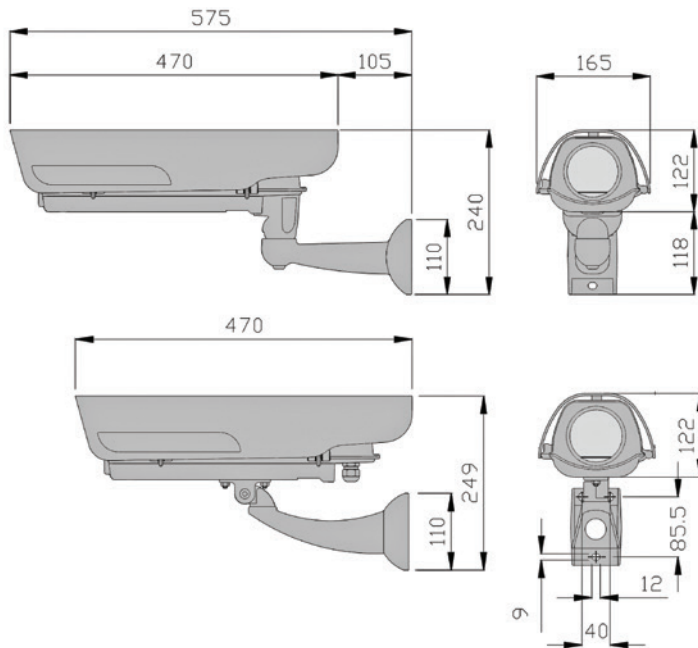
### Accuracy

OCR accuracy	<ul style="list-style-type: none"> <li>• Up to 99% of transits.</li> <li>• <b>100% accuracy</b> according to UNI 10772:2016 class A parameters for rear, two-line, motorcycle and moped number plates.</li> </ul>
--------------	---

## ACCESSORIES

**T**

Power supply PoE+ (Power Over Ethernet Plus) standard 802.3at including a high power injector.



## COMPARISON TABLE OF SELEA ANPR CAMERAS

Legend	TARGA 704	TARGA 750	TARGA 805	TARGA 850	TARGA 205
✓ = included (built-in) ■ = optional (on request) CPS = function processed by the CPS modules (optional) empty space = unavailable					
Lanes	1	Dual lane	1	Dual lane	1
Built-in OCR sensor	2 Mpx	3,2 Mpx	5 Mpx	5 Mpx	2 Mpx
5 MPX colour panoramic sensor	■	■	✓	✓	✓
Dangerous goods tables reading (Kemler)	✓	✓	✓	✓	
Nationality recognition	✓	✓	✓	✓	✓
Speed detection (on board)				✓	
Vehicle type recognition (on board)	CPS	CPS	CPS	✓	CPS
Colour recognition (on board)	CPS	CPS	CPS	✓	CPS
Make & Model recognition (on board)	CPS	CPS	CPS	✓	CPS
Memory expansion ports	✓	✓	✓	✓	
Interface for PM2,5 and PM10 fine dust sensor	✓	✓	✓	✓	
White/Black list storage and backup	✓	✓	✓	✓	
P.O.E+ power supply with power injector	■	■	■	■	■

## SELEA SRL

Via Aldo Moro, 69  
46019 Cicognara (MN)  
PIVA 01811290202  
Tel +39 0375 88.90.91  
Fax +39 0375 88.90.80

[www.selea.com](http://www.selea.com)  
[infocom@selea.com](mailto:infocom@selea.com)

## WHERE TO BUY

Selea has a network of authorised Distributors throughout the country with whom it establishes design and market

## SUPPORT

We provide both a pre-sales and an after-sales technical support service to customers.

All trademarks included in this document belong to their legitimate owners; third party brands, product names, trade names, corporate and company names mentioned may be trademarks of their respective owners or trademarks registered by other companies and have been used for explanatory purposes and for the benefit of the owner, without any intent to infringe Copyright.

## About us

SELEA is specialized in the manufacture of number plate reading solutions, both for vehicle access control and for territorial security and traffic control. All of our products are developed and manufactured entirely in Italy. This means that our customers benefit from continuous and comprehensive technical support.

The experience accumulated in over 10 years of collaboration with various law enforcement agencies on video surveillance and license plate reading systems, give us today the opportunity to offer solutions capable of guaranteeing excellent results, and advanced tools for the repression and prevention of crimes (search for accomplices, stolen vehicles, vehicles without insurance/roadworthiness certificate, traffic analysis, and much more). These products can be part of an integrated urban security system, allowing the sharing of information between law enforcement and smart cities.

- HARDWARE MANUFACTURING
- SOFTWARE DEVELOPMENT
- IN-HOUSE RESEARCH & DEVELOPMENT
- 100% MADE in ITALY by SELEA

