



Cerberus PRO – panels, network and accessories

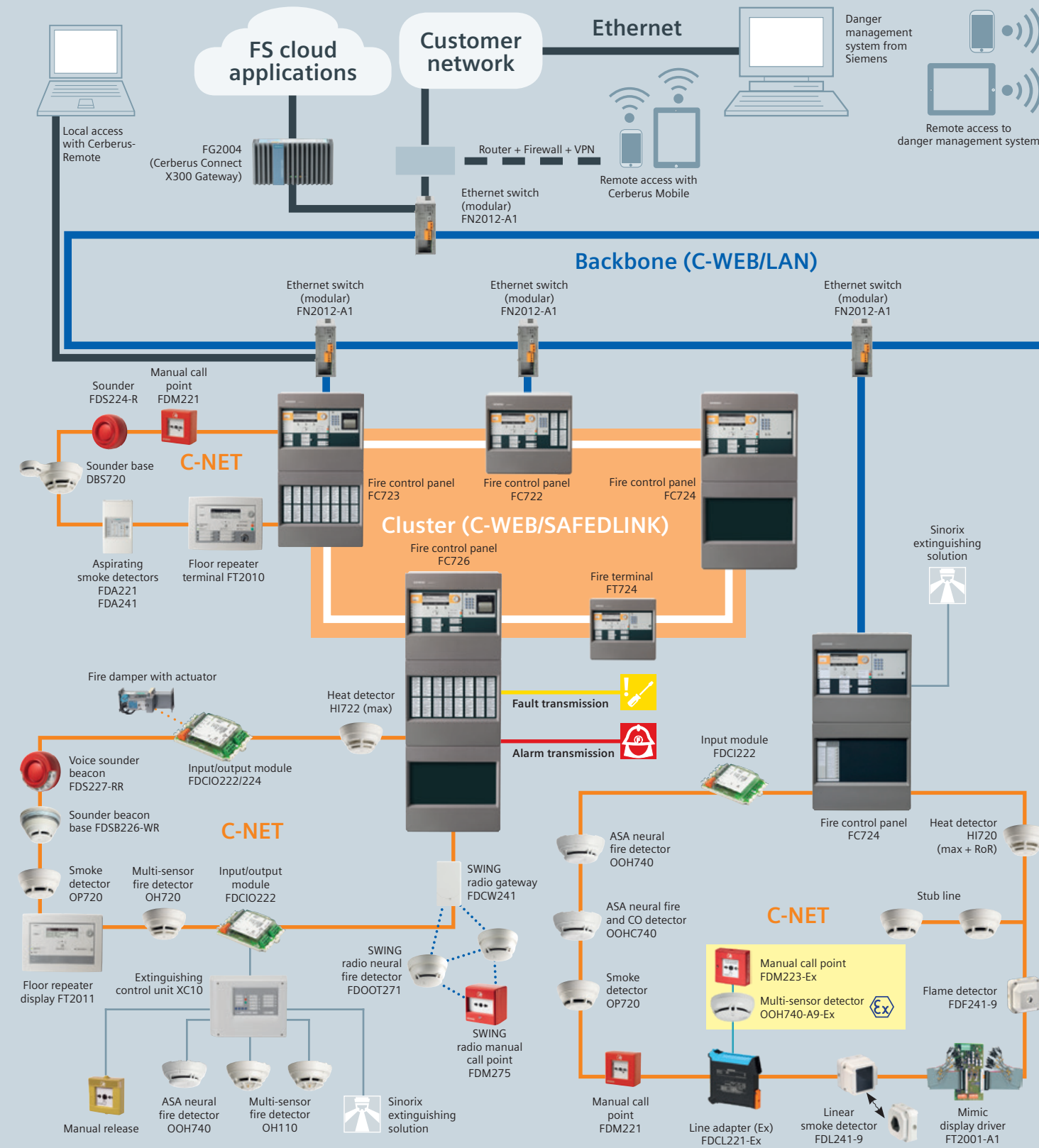
Planning Tool

siemens.com/cerberus



Cerberus PRO – enjoy protecting

Powerful control panels, clever fire detectors and smart peripheral devices. This is what our comprehensive Cerberus™ PRO family offers. The overview below demonstrates the most important system components.



Important notice:
Simplified drawing without additional network hardware and safety components. Allowed configurations are described in the document "Network Security Guidelines", Doc. ID A6V101039439. Contact your Siemens IT Security expert for details.

Panel overview compact

	FC721-ZZ1-YZ	FC722-ZZ1-YZ	FC722-ZA1-ZE	FC724-ZA1-ZE	FT724-ZZ
Housing	Eco	Standard	Comfort	Comfort	Eco
Mains voltage	- AC 97...127 V - AC 196...253 V	- AC 97...127 V - AC 196...253 V	- AC 97...127 V - AC 196...253 V	- AC 97...127 V - AC 196...253 V	-
Power supply	70 W	70 W	150 W	150 W	option PSU 70 W
Operating voltage	DC 21...28.6 V	DC 21...28.6 V	DC 21...28.4 V	DC 21...28.4 V	DC 21...28.4 V
Operating current	max. 2.5 A	max. 2.5 A	max. 5 A	max. 5 A	125 mA
Battery capacity	2x 12 V, 7 Ah	2x 12 V, 7 Ah	2x 12 V, 26 Ah	2x 12 V, 26 Ah	option 2x 12 V, 7 Ah
Emergency power supply	up to 72 h ¹⁾	up to 72 h ¹⁾	up to 72 h	up to 72 h	up to 72 h
Connectable detector series	Cerberus PRO FD720 (C-NET)	Cerberus PRO FD720 (C-NET)	Cerberus PRO FD720 (C-NET)	Cerberus PRO FD720 (C-NET)	-
Number of lines	1	2 (4)	2 (4)	4 (8)	-
- C-NET integrated (with loop extension)	2	4 (8)	4 (8)	8 (16)	-
- Stub lines	-	-	-	-	-
Number of addresses	max. 126	max. 252	max. 252	max. 504	-
Networkable	-	✓	✓	✓	✓
Integrated inputs/outputs					
- Relay outputs	1	1	1	1	-
• RT alarm	1	1	1	1	-
- Monitored outputs	1	1	1	1	-
• Alarm	1	1	1	1	-
• Fault	1	1	1	1	-
• Horn	1	1	2	2	-
- Freely programmable inputs/outputs	4	8	8	12	-
Operating unit	integrated	integrated	integrated	integrated	integrated
Display groups integrated, each with one red, green and yellow LED	-/up to 24	-/up to 24	-/up to 48	-/up to 48	-
Display groups optional, each with one red, green and yellow LED	up to 96 ²⁾	up to 96 ²⁾	up to 96/up to 96	up to 96/up to 96	up to 96 ³⁾
Plug-in position for RS232, RS485 serial ports	1	2	2	2	2
Ethernet connection RJ45	1	1	1	1	1
Dimensions (WxHxD)	430x398x80 mm	430x398x160 mm	430x796x160 mm	430x796x160 mm	430x398x80 mm
Approvals					
- CPR	0786-CPR-20767	0786-CPR-20721	0786-CPR-20721	0786-CPR-20722	-
- VdS	-	G209076	G209076	G209077	G209078
- LPCB	126bn	126bn	126bn	126bn	126bn

¹⁾ with additional housing and power supply, ²⁾ with extra housing

Panel overview modular

	FC723-ZA	FC726-ZA
Housing	Comfort	Large
Mains voltage	- AC 98...127 V - AC 196...253 V	- AC 98...127 V - AC 196...253 V
Power supply	150 W	150 W
Operating voltage	DC 21...28.4 V	DC 21...28.4 V
Operating current	max. 5 A	max. 5 A
Battery capacity	2x 12 V, 26 Ah	2x 12 V, 45 Ah
Emergency power supply	up to 72 h	up to 72 h
Connectable detector series	Cerberus PRO FD720 (C-NET)	Cerberus PRO FD720 (C-NET)
Number of lines	2 (4)	4 (8)
- C-NET integrated (with loop extension)	4 (8)	8 (16)
- Stub lines	max. 8	max. 20
- C-NET ext. (4 per line card)	-	-
Number of addresses	max. 756	max. 1,512
Networkable	✓	✓
Integrated inputs/outputs		
- Relay outputs	1	1
• RT alarm	1	1
- Monitored outputs	1	1
• Alarm	1	1
• Fault	1	1
• Horn	1	2
- Freely programmable inputs/outputs	8	12 (72) ¹⁾
Operating unit	integrated	integrated
Display groups integrated, each with one red, green and yellow LED	-	-
Display groups optional, each with one red, green and yellow LED	up to 96	up to 96
Plug-in position for RS232, RS485 serial ports	2	2
Ethernet connection RJ45	1	1
Dimensions (WxHxD)	430x796x160 mm	430x796x260 mm
Approvals		
- CPR	0786-CPD-21328	0786-CPD-20983
- VdS	G214021	G210084
- LPCB	126bn	126bn

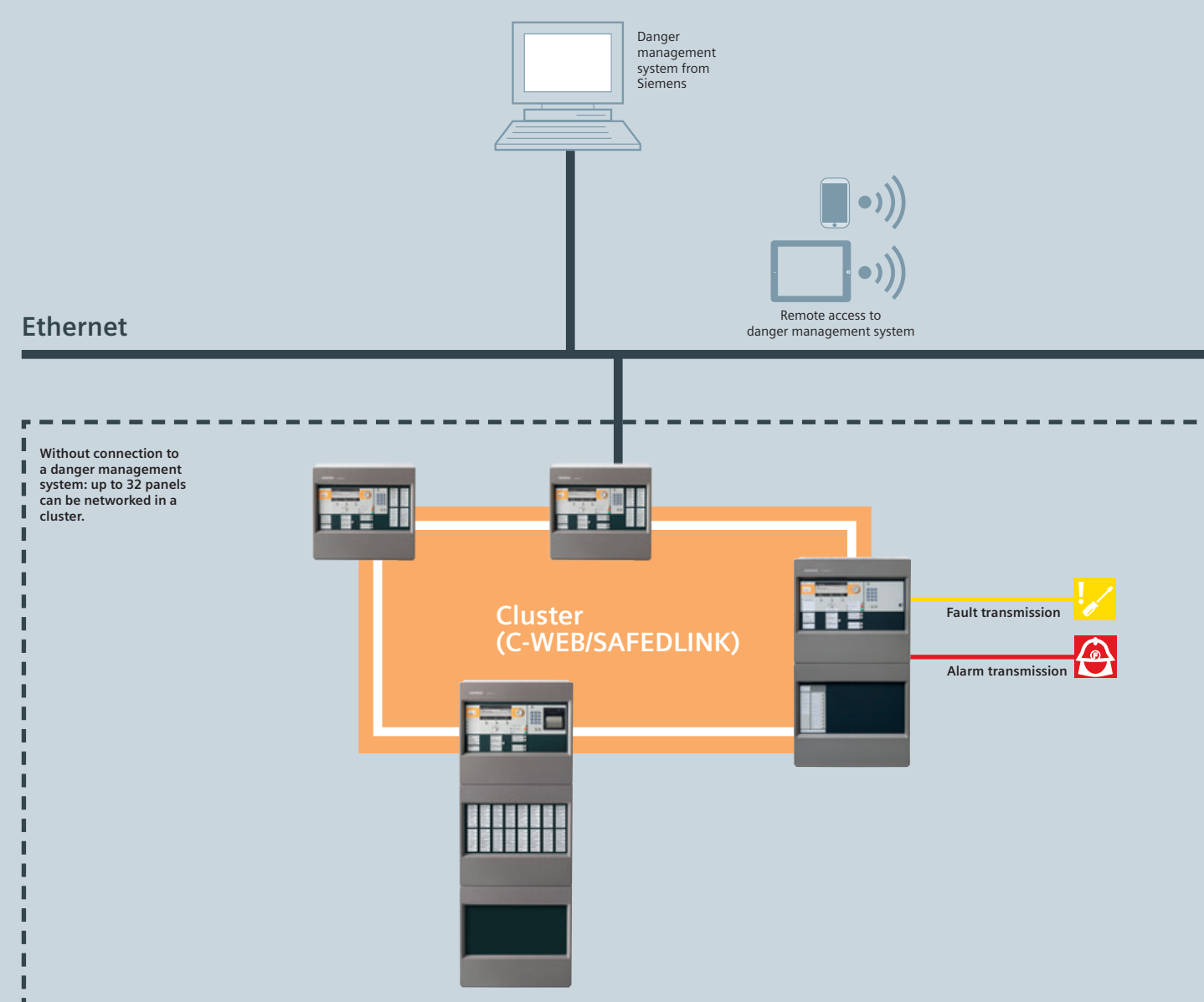
¹⁾ with additional input/output cards FC12008-A1

Single-sector extinguishing panel

	Combined fire and ext. control panel
Consisting of:	- Fire control panel - Extinguishing control kit - Extinguishing terminal Optional: - Extinguishing terminal
FC722-ZA or FC724-ZA	XCA2005-A1 XCM7202-Z3 XT2001-A1
Techn. data FC72x	See FC722-ZA, FC724-ZA
Technical data extinguishing card	
Monitored outputs	- Output voltage valve, standard, and inverse outputs, max. 10 max. DC 25.8 V - Output current max. 2 A - Line resistance max. 80 Ω, both conductors - Monitored for ground fault, leakage current, open line
Monitored collective inputs	max. 4 (e.g. Manual release and Emergency hold (call points)) max. 8, collective
Monitored inputs	max. 6 (e.g. Loss of agent, Discharged contact...) If collective inputs not used: 10 max. 64 (parallel, normally opened)
Non-monitored driver outputs	max. 6 Circuit Open driver, Short-circuit-proof 40 mA
Technical data extinguishing terminal	
Number of participants per sector	primary 1, secondary max. 5
Cable length	primary max. 10 m, secondary max. 1200 m
Supply input	DC 21...30 V
Operating current per terminal	25 mA typical @DC 24 V
Indication LEDs	34 LEDs
Indication Display	4 digits 5x7 dot matrix
Data sheet	A6V11480005
Approvals	
- CPR	pending
- VdS	pending

Topology 1

Up to 16 panels can be networked in a cluster (C-WEB/SAFEDLINK) – if connected to a danger management system. Without a danger management system, even up to 32 panels can be networked.



Important notice:
Simplified drawing without additional network hardware and safety components. Allowed configurations are described in the document "Network Security Guidelines", Doc. ID A6V101039439. Contact your Siemens IT Security expert for details.

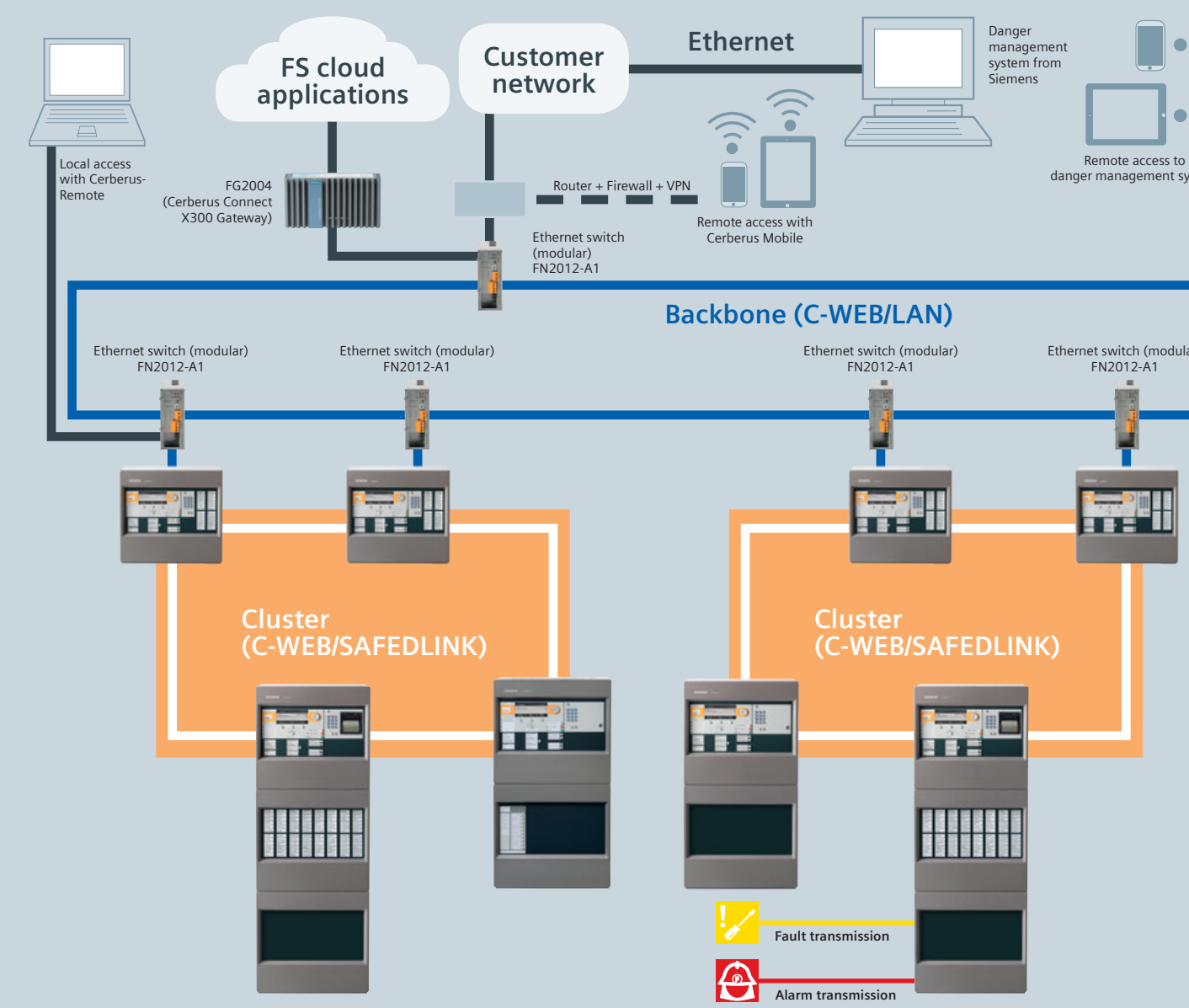
Characteristics of topology example

- Easy networking of panels
- Operation of panels as standalone solution or networked with a total length of up to 1,280 km
- Data rate can be adapted to line quality

Key data		
- Max. number of networkable panels:	32	
- Max. number of networkable panels if connected to a danger management system:	16	
- Max. distance between panels with copper cable:		
• without repeater:	1 km	
• with repeater:	2 km	
- Max. distance between panels with fiber-optic cable:		
• multi mode:	4 km	
• single mode:	40 km	
- Max. number of panels with system-wide view:	5	

Topology 2

Up to 64 panels in one EN 54-conform system with different combinations of clusters and backbone – and with connection to a danger management system via a customer network.



Important notice:
Simplified drawing without additional network hardware and safety components. Allowed configurations are described in the document "Network Security Guidelines", Doc. ID A6V101039439. Contact your Siemens IT Security expert for details.

Characteristics of topology example

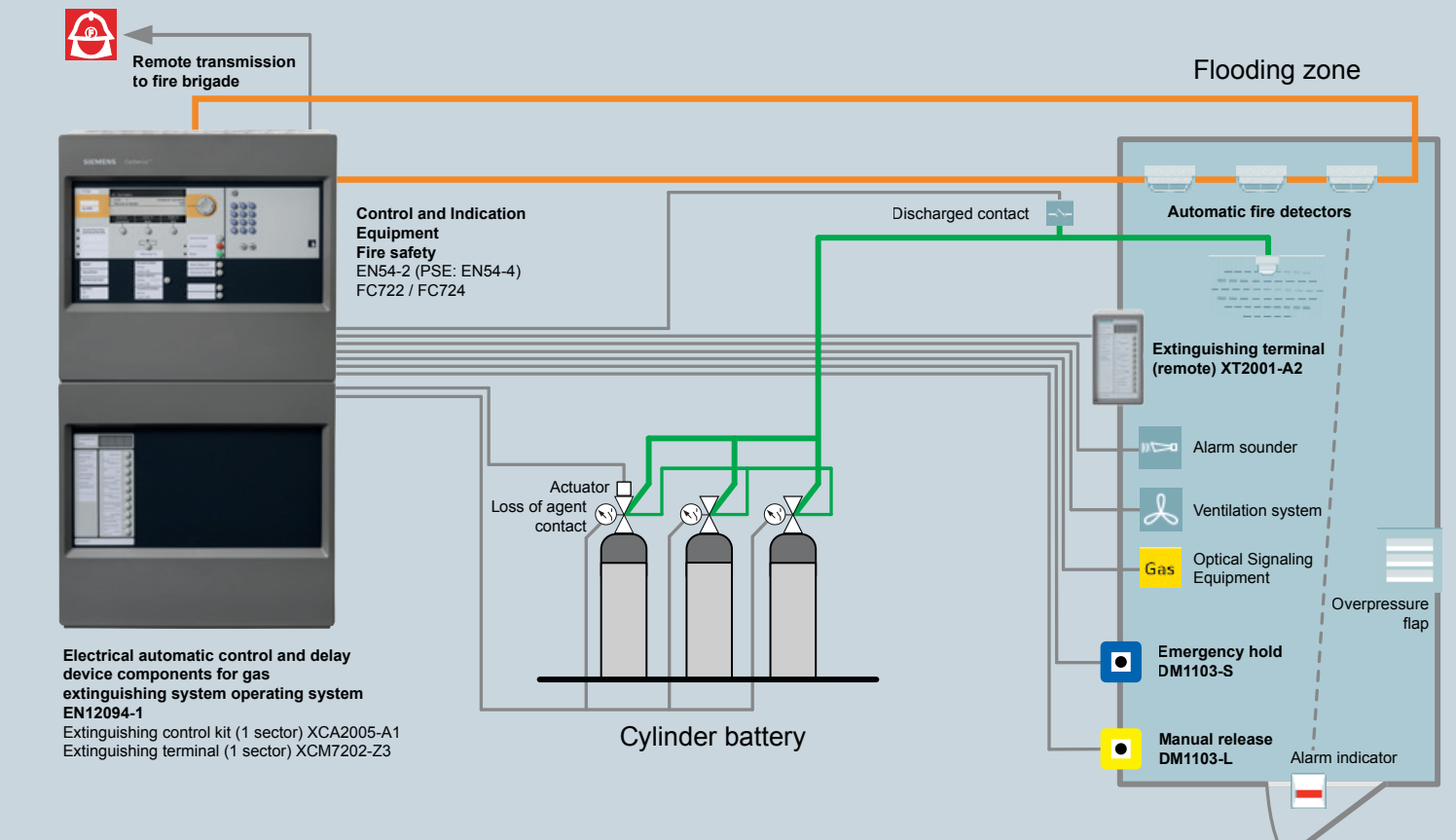
- EN 54-conform networking of up to 64 panels via backbone
- Very large networks spanning long distances
- Highest system availability thanks to system-wide redundancy
- Panels on different clusters can communicate with each other
- Only one remote transmission to fire brigade over entire system necessary
- Distributed building complexes can be ideally protected
- Backbone is realized with fiber-optic cable

Key data		
- Max. number of networkable panels incl. clusters (EN 54-conform):	64	
- Max. number of clusters:	14	
- Max. number of networkable panels per cluster:	16	
- Number of panels with system-wide view:	5	

Integrated Extinguishing control planning

Single-sector extinguishing

Combined fire detection and extinguishing control panel FC20 operating as a single-sector extinguishing system. FC20 works with most types of extinguishing systems for room or object protection. A single-sector installation consists of a single flooding zone and cylinder bank. In case of a fire, the extinguishing agent flows through the manifolds to the flooding zone and is distributed there by the nozzles. The system can be optionally configured with a reserve cylinder battery.



Caption:
C-NET
Electrical line
Manifold (distribution pipe)
Control pipe

Electrical automatic control and delay device components for gas extinguishing system operating system EN12094-1
Extinguishing control kit (1 sector) XCA2005-A1
Extinguishing terminal (1 sector) XCM7202-Z3

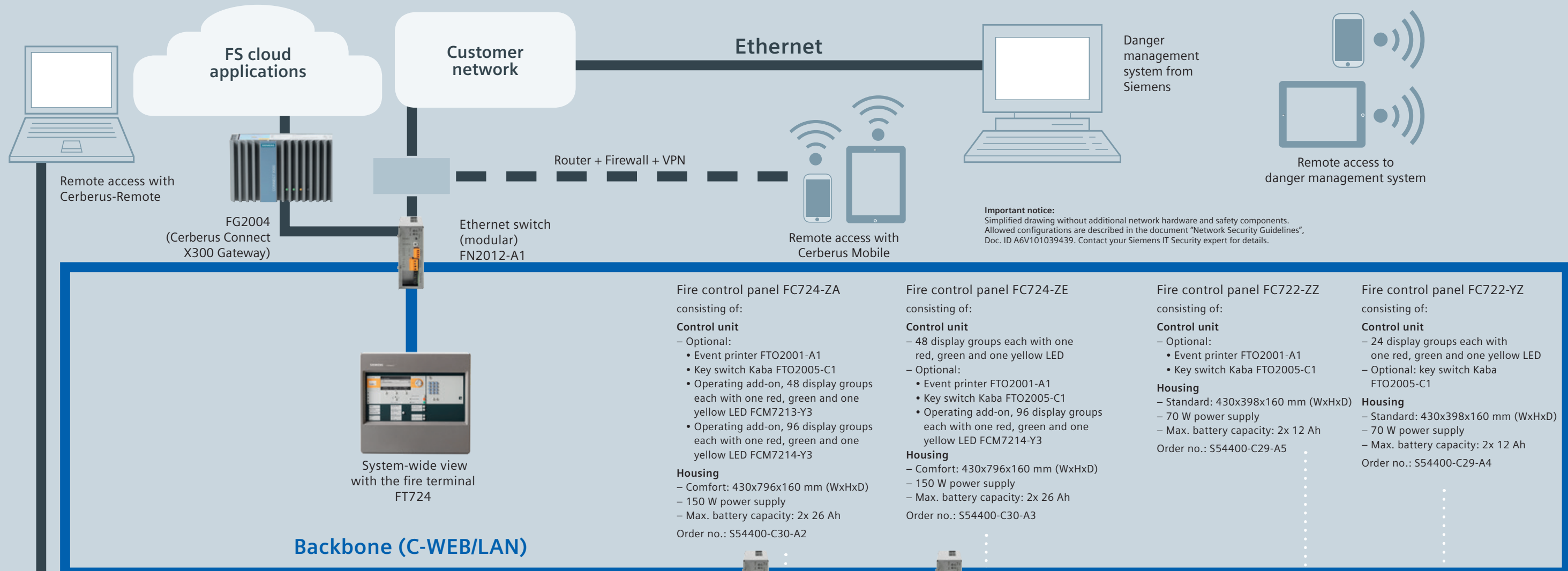
Published by
Siemens Switzerland Ltd 2018
Building Technologies Division
Theilstrasse 1a
6300 Zug
Switzerland
Tel +41 58 724 24 24
Article no. BT_0149_EN (Status 10/2018)
Subject to changes and errors. The information given in this document only contains general descriptions and/or performance features which may not always reflect those described, or which may undergo modification in the course of further development of the product. The requests performance features are binding only when they are expressly agreed upon in the concluded contract.
© Siemens Switzerland Ltd, 2018

When building technology creates perfect places – that's ingenuity for life.
Never too cold. Never too warm. Always safe. Always secure.
With our knowledge and our services, we turn places into perfect places.
We create perfect places for their users' needs – for every stage of life.
#CreatingPerfectPlaces
siemens.com/perfect-places

Cerberus PRO Planning Tool

Panels, network and accessories

To enable remote operation with Cerberus-Remote, the PC has to be connected to an Ethernet switch at the backbone. Access to a certain panel in a cluster will be granted by installing an S1 license key into this panel.



Backbone (C-WEB/LAN)

- Clusters can be networked via an Ethernet backbone, using industrial LAN technology. Siemens is the first manufacturer offering this as an EN 54-approved solution. With standard IT architecture, building structures and organizational processes can be ideally represented.
- Characteristics of networking via backbone**
- Ethernet switch to connect a cluster to the backbone
 - Redundant transmission thanks to circular wiring
 - Redundant connection possible due to two Ethernet switches
 - Increased EMC protection thanks to fiber-optic cabling
 - Easily programmable, EN 54-compliant system-wide control
 - Configurable view of each panel
 - All panels can be used as a router panel (for further information on FC726, please see separate documentation).
- Key data**
- Max. number of panels in EN 54 system: 64
 - Max. number of panels in a cluster: 16
 - Max. number of networkable clusters: 14
 - Number of panels placed directly on backbone: 4*
 - Number of panels with system-wide view: 5*
 - Max. distance between clusters: 4 km
 - Fiber optic multi mode: 4 km
 - Fiber optic single mode: 40 km

* and more with relevant system topology

The following guidelines must be observed

- To fulfill the EN 54 norm, only 1 Ethernet switch is required to connect control panels with less than 512 fire detectors to the backbone.

Network components

- Backbone**
- Ethernet switch (modular) FN2012-A1
Order no.: S54400-8152-A1
 - Ethernet module (electric/CAES) VN2001-A1
Order no.: S54400-A42-A1
 - Ethernet module (MM) VN2002-A1
Order no.: S54400-A43-A1
 - Ethernet module (SM) VN2003-A1
Order no.: S54400-A44-A1
 - Connection module (MoNet) FCA2031-A1
Order no.: S54400-A153-A1
- Cluster**
- Network module (SAFEDLINK) FN2001-A1**
- With this module, the station can be networked via the cluster. For this purpose it is necessary to install a network module. In case of additional requirements in terms of the degrade mode function, 2 network modules can be installed.
- For example for:
- Networked panels with more than 512 C-NET devices
 - Networked panels with connection to remote transmission and with more than 512 C-NET devices
- Order no.: ASQ00012851
- Optical fiber networking modules FN2006-A1 (SM) and FN2007-A1 (MM)**
- With these optical fiber networking modules, Cerberus PRO stations can be linked to the C-WEB/SAFEDLINK system bus over great distances by glass fiber cable. The redundant feed allows EN 54-compliant networking even if the networking module is remote.
- Characteristics:**
- Two independent, galvanically separated channels
 - SC connections for optical cables
 - Two redundant, monitored power feeds EN 54-approved
 - Earth fault monitoring
 - Installation in the station or remote
 - Can be installed upright or horizontally on a DIN rail
 - FN2006-A1: single-mode transmission up to 40 km
 - FN2007-A1: multi-mode transmission up to 4 km
- Order no.: S54400-A109-A1
- Order no.: S54400-A110-A1

License key	Without license key	S1 (PCA2023-A1) Order no.: S54400-P154-A1	S2 (PCA2024-A1) Order no.: S54400-P155-A1	S3 (PCA2025-A1) Order no.: S54400-P156-A1	S4 (PCA2026-A1) Order no.: S54400-P157-A1
Cerberus DMS	✓	✓	✓	✓	✓
Cerberus Remote and BACnet 3rd party provider (supervision)	✓	✓	✓	✓	✓
BACnet 3rd party provider (supervision and basic commands)	✓	✓	✓	✓	✓
BACnet 3rd party provider (supervision and extended commands)	✓	✓	✓	✓	✓
BACnet 3rd party provider (activation and deactivation commands)	✓	✓	✓	✓	✓
Cerberus Mobile	✓	✓	✓	✓	✓

Cluster (C-WEB/SAFEDLINK)

- Via the powerful cluster, up to 32 panels can be networked (fire control panels and fire terminals).
- Characteristics of networking via the system bus**
- Wiring with two wires
 - Redundant transmission thanks to circular wiring
 - Increased safety due to degrade mode using a second network module
 - No additional cabling necessary for degrade mode; even for systems with more than 512 fire detectors
 - Configurable view of individual panels
- Key data**
- Max. number of networkable panels: 32
 - Max. number of networkable panels if connected to a danger management system: 16
 - Max. distance between panels with copper cable: 1 km
 - Max. distance between panels with fiber-optic cable: 2 km
 - Multi mode: 4 km
 - Single mode: 40 km
 - Max. number of panels with system-wide view: 5

Fire control panel modular FC726 / FC723

- Description FC726 (modular)**
- FC726 is a modular fire control panel. It has the following features:
- 4 C-NET loops
 - 5 slots for additional module bus cards
 - Integrated inputs/outputs for peripherals
 - Integrated control unit
 - Automatic configuration
 - Automatic configuration
 - Networkability via backbone (C-WEB/LAN), cluster (C-WEB/SAFEDLINK) or Ethernet
- Technical data**
- Basic configuration**
- Number of loop/stubs: 4/8
 - Optionally with loop extension: 8 loops/16 stubs
- Modular extension**
- Line card for 252 C-NET devices
 - Line card for 512 SynoLOOP devices
 - IO card with inputs/outputs (12)
- Final configuration**
- Number of addresses: max. 1,512
 - Number of loop/stubs: 28/56

Cluster (C-WEB/SAFEDLINK)

- Fire control panel FC726-ZA**
- consisting of:
- Control unit
 - Optional:
 - Event printer FTO2001-A1
 - Key switch Kaba FTO2005-C1
 - Operating add-on, 48 display groups each with one red and one yellow LED FCM7211-Y3
 - Operating add-on, 96 display groups each with one red and one yellow LED FCM7212-Y3
- Housing:**
- Large: 430x796x260 mm (WxHxD)
 - 150 W power supply
 - Max. battery capacity: 2x 45 Ah
- Order no.: S54400-C87-A1

Fire control panel FC724 (4-loop)

- Description**
- The FC724 is a compact 4-loop fire control panel. It has the following features:
- 4 C-NET loops
 - Integrated inputs/outputs for peripherals
 - Integrated control unit
 - Automatic configuration
 - Networkability via backbone (C-WEB/LAN), cluster (C-WEB/SAFEDLINK) or Ethernet
- Technical data**
- C-NET detector lines**
- Number of addresses: max. 504
 - Number of loop/stubs: 4/8
 - Optionally with loop extension: 8 loops/16 stubs
- Inputs and outputs**
- 1 relay output for RT alarm
 - 1 relay output for RT fault
 - 1 monitored alarm output
 - 1 monitored fault output
 - 2 monitored sounder outputs (1 A each)
 - 12 configurable inputs/outputs DC 24 V
 - 1 Ethernet connection (RJ45)
 - Optional: sounder module for splitting the sounder line output into 4 monitored outputs (2 A)

Fire terminal FT724

- Description**
- The FT724 has the following features:
- Integrated control unit
 - Separate DC 24 V supply input possible
 - Redundant DC 24 V supply input
 - Networkability via C-WEB/SAFEDLINK or Ethernet
- Technical data**
- DC 24 V system power supply
 - Alarm current: 130 mA

Fire control panel with extinguishing control

- Fire control panel FC722/724-ZA with extinguishing control**
- consisting of:
- Fire control panel
 - Fire control panel FC722-ZA
Order no.: S54400-C29-A2
 - 4-loop panel FC724-ZA
Order no.: S54400-C30-A2
 - Extinguishing terminal (1 sector) XCM7202-Z3
Order no.: S54392-818-A1
 - Optional extinguishing terminal XCA2005-A1
Order no.: S54392-F21-A1
 - Extinguishing card XCI2005-A1
Order no.: S54400-C24-A1
 - Card cage (1 sector exting.) FCA2046-A1
Order no.: S54400-C25-A1
 - Card cage connection FCA2006
Order no.: S54392-920-A1
- Fire control panel FC722-ZA**
- consisting of:
- Control unit
 - Event printer FTO2001-A1
 - Key switch Kaba FTO2005-C1
 - Operating add-on, 48 display groups each with one red, green and one yellow LED FCM7213-Y3
 - Operating add-on, 96 display groups each with one red, green and one yellow LED FCM7214-Y3
- Housing:**
- Comfort: 430x796x160 mm (WxHxD)
 - 150 W power supply
 - Max. battery capacity: 2x 26 Ah
- Order no.: S54400-C29-A2

Fire control panel FC721 (1-loop)

- Description**
- The FC721 is a compact fire control panel. It has the following features:
- 1 C-NET loop
 - Integrated inputs/outputs for peripherals
 - Integrated control unit
 - Integrated power supply
 - Automatic configuration
 - Networkability via backbone (C-WEB/LAN), cluster (C-WEB/SAFEDLINK) or Ethernet
- Technical data**
- C-NET detector lines**
- Number of addresses: max. 252
 - Number of loop/stubs: 2/4
 - Optionally with loop extension: 4 loops/8 stubs
- Inputs and outputs**
- 1 relay output for RT alarm
 - 1 relay output for RT fault
 - 1 monitored alarm output
 - 1 monitored fault output
 - 1 monitored sounder output (1 A)
 - 8 configurable inputs/outputs DC 24 V
 - 1 Ethernet connection (RJ45)
 - Optional: sounder module for splitting the sounder line output into 4 monitored outputs (2 A)

Fire control panel FC721-YZ

- consisting of:
- 24 display groups each with one red, green and one yellow LED
 - Optional: key switch Kaba FTO2005-C1
- Housing:**
- Eco: 430x398x80 mm (WxHxD)
 - 70 W power supply
 - Max. battery capacity: 2x 7 Ah
- Order no.: S54400-C32-A2

Housings

- Housing (Eco) FH7201-Z3**
- Max. battery capacity: 2x 7 Ah
 - 430x398x80 mm (WxHxD)
 - Optional:
 - Power supply kit (70 W) FP2015-A1
 - Event printer FTO2001-A1
 - Operating add-on (4x LED-ind.) FCM7213-Y3
 - Operating add-on (4x LED-ind.) FCM7214-Y3
- Order no.: S54400-B72-A1
- Housing (Standard) FH7202-Z3**
- Max. battery capacity: 2x 26 Ah
 - 430x398x160 mm (WxHxD)
 - Optional:
 - Power supply kit (70 W) FP2015-A1 or Power supply kit (150 W) FP2004-A1 or additional power supply (150 W) FP2005-A1
 - Event printer FTO2001-A1
 - Operating add-on (2x LED-ind.) FCM7213-Y3
 - Operating add-on (4x LED-ind.) FCM7214-Y3
- Order no.: S54400-B70-A1
- Housing (Comfort) FH7203-Z3**
- Max. battery capacity: 2x 26 Ah
 - 430x796x160 mm (WxHxD)
 - Optional:
 - Power supply kit (70 W) FP2015-A1 or Power supply kit (150 W) FP2004-A1 or additional power supply (150 W) FP2005-A1
 - Event printer FTO2001-A1
 - Operating add-on (2x LED-ind.) FCM7213-Y3
 - Operating add-on (4x LED-ind.) FCM7214-Y3
- Order no.: S54400-B71-A1
- Housing (Large) FH7205-Z3**
- Max. battery capacity: 2x 100 Ah
 - 430x796x260 mm (WxHxD)
 - Optional:
 - Power supply kit (70 W) FP2015-A1
 - Power supply kit (150 W) FP2004-A1
 - Power supply kit (150 W) FP2005-A1
 - Event printer FTO2001-A1
 - Operating add-on (2x LED-ind.) FCM7213-Y3
 - Operating add-on (4x LED-ind.) FCM7214-Y3
- Order no.: S54400-B86-A1
- Housing (Large Extension) FH7204-Z3**
- Max. battery capacity: 2x 100 Ah
 - 430x398x260 mm (WxHxD)
 - Optional:
 - Power supply kit (70 W) FP2015-A1
 - Power supply kit (150 W) FP2004-A1
 - Power supply kit (150 W) FP2005-A1
 - Event printer FTO2001-A1
 - Operating add-on (2x LED-ind.) FCM7213-Y3
 - Operating add-on (4x LED-ind.) FCM7214-Y3
- Order no.: S54400-B89-A1

Expansion options

- Loop extension (C-NET) FCI2003-A1**
- This module is needed, for example, for operating the number of loops (e.g. from 2 loops to 4 loops or from 4 loops to 8 loops) while retaining a constant total number of addresses on the C-NET line card (e.g. 2 loops with 126 addresses each or 4 loops with 63 addresses each).
- Order no.: ASQ00010136
- RS232 module (isolated) FCA2001-A1**
- This module is needed, for example, for operating an event printer. It is plugged into the PMI main-board. The RS232 module is not contained in the set for the event printer.
- Order no.: ASQ00005327
- RS485 module (isolated) FCA2002-A1**
- This is needed, for example, for operating the following modules:
- Fire department display panel with integrated fire department operating panel (FAT and F8R) [DE and CZ]
 - EVAC module [NL]
- The RS485 module (isolated) is plugged into the PMI main-board.
- Order no.: ASQ00009923
- Sounder module FCA2005-A1**
- The sounder module has connections for a conventional sounder lines (primary lines; 4x up to 1 A, max. 2 A total). The sounder module is screwed to the assembly plate FHA2007-A1.
- Order no.: ASQ00014866
- Output module (230 V) FCA1209-Z1**
- The module is directly connected with the monitored output line and provides one potential-free contact. It is an output module for the control of ventilation, air conditioning, elevators, etc.
- Order no.: S54400-B124-A1

Operating add-ons

- Operating add-on (2x LED-ind.) FCM7213-Y3**
- This contains 48 display groups each with one red, green and one yellow LED. Any events can be allocated to the LEDs.
- Optional: event printer FTO2001-A1
- Order no.: S54400-B149-A1
- Operating add-on (4x LED-ind.) FCM7214-Y3**
- This contains 96 display groups each with one red, green and one yellow LED. Any events can be allocated to the LEDs.
- Order no.: S54400-B150-A1
- Key switch Kaba FTO2005-C1**
- Kaba lock cylinder with installation accessories and keys (Kaba #100). Usable optionally for enabling operation.
- Order no.: ASQ00010113
- Extinguishing key switch Kaba XTO2002-C1**
- Order no.: S54392-812-A1
- Key switch Nordig FTO2006-B1**
- Key set with mounting accessories. Optimally applicable for operation clearance.
- Order no.: ASQ00010129
- Extinguishing key switch (Nordig) XTO2003-B1**
- Order no.: S54392-811-A1
- Event printer FTO2001-A1**
- The event printer FTO2001-A1 is installed directly in the control panel or in the terminal. It is a thermal printer which logs all events. An RS232 module (isolated) FCA2001-A1 is required for operating the event printer. This is not contained in the printer set and must be ordered separately.
- Order no.: ASQ00010126
- Event printer DL3750+**
- Monitored external event printer for serial connection via Ethernet. Optional: RS232 module (isolated) FCA2001-A1.
- Order no.: ASQ00023962

Extinguishing equipment

- Extinguishing control kit (1 sector) XCA2005-A1**
- consisting of:
- Extinguishing card XCI2005-A1
 - Card cage (1 sector exting.) FCA2046-A1
 - Accessory kit FCA2047-A1
 - Card cage connection FCA2006
- Order no.: S54392-920-A1
- Extinguishing terminal (1 sector) XCM7202-Z3**
- consisting of:
- 1 extinguishing terminal
 - Configurable leds and push buttons
 - 4 digit display to show countdown pre-warning time
- Order no.: S54392-818-A1
- Extinguishing key switch Kaba XTO2002-C1**
- Order no.: S54392-812-A1
- Extinguishing key switch (Nordig) XTO2003-B1**
- Order no.: S54392-811-A1

Module bus cards for FC723 / FC726

- Line card (C-NET) FCL2001-A1**
- For 252 C-NET devices on 4 loops or 8 stubs.
- Order no.: ASQ00009875
- Line card (SynoLOOP) FCL2001-A1**
- For 128 devices per loop or 4 stubs.
- Order no.: S54400-H116-A1
- IO card (RT) FCI2007-A1**
- For alarm and fault transmission.
- Order no.: S54400-A20-A1
- IO card (programmable) FCI2008-A1**
- 12 programmable inputs/outputs with defined behavior in degrade mode.
- Order no.: S54400-A61-A1
- IO card (horn/monitored) FCI2009-A1**
- 8 monitored horn lines or monitored outputs.
- Order no.: S54400-A21-A1

Power supply

- Power supply kit A (70 W) FP120-Z1**
- The standalone power supply converts the mains voltage to system voltage and charges the batteries.
- Order no.: S54400-S122-A1
- Power supply kit A (150 W) FP2004-A1**
- Power supply for installation in empty housings. Optional: additional power supply with FP2005-A1 is possible.
- Order no.: ASQ00020825
- Power supply kit A (70 W) FP2015-A1**
- For the independent power supply of fire terminals such as FT24-ZZ.
- Order no.: S54400-B121-A1
- Power supply kit A (150 W) FP2005-A1**
- Power supply can be connected in the housing directly after FP2004-A1.
- Order no.: ASQ00018779

Legend for the interfaces and networks:

- Serial interfaces**
- One optional RS232 and/or one RS485 interface (also freely combinable) per panel or fire terminal
- Backbone (C-WEB/LAN)**
- Network for connecting clusters
- Cluster (C-WEB/SAFEDLINK)**
- Network for connecting panels
- C-NET**
- Network for connecting Cerberus PRO addressable devices
- C-NET-Ex**
- Network for connecting Cerberus PRO addressable Ex devices

Detailed planning information

Detailed information for planning of the system are available in the planning document, Doc. ID A6V10210362.

C-NET

(For further details see also the Cerberus PRO Planning Tool - C-NET devices)

